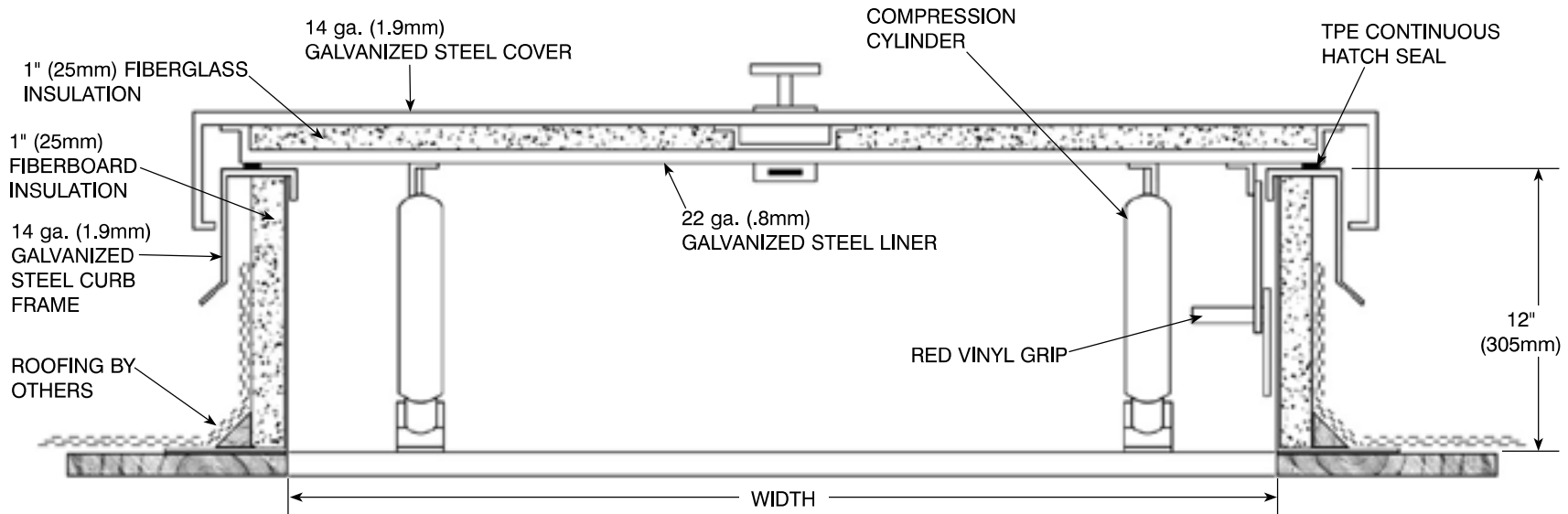


SUBMITTAL: GALVANIZED ROOF HATCHES (RHG)



MODEL RHG SERIES

The Model RHG Series roof hatches provide for normal ladder, step ladder and stair access to roof from interior of the building. Manufactured from galvanized steel with weather resistant gasketing, these units feature long life, low maintenance and ease of operation. J.L. offers fully welded, mitered corners and box type door design. Units install easily over roof opening and are secured from base flange to roof deck.

DIMENSIONS IN INCHES

QTY	MODEL	CURB OPENING		SHIPPING WEIGHT
		Width	Length	
	RHG-1	2' 6"	3' 0"	150
	RHG-2	4' 6"	2' 6"	210
	RHG-3	8' 0"	2' 6"	315
	RHG-4	3' 0"	3' 0"	185
	RHG-5	4' 0"	4' 0"	260

SPECIFICATIONS

Furnish and install as indicated Model RHG galvanized roof hatch by J.L. Industries.

MATERIALS

Curb: 14 ga. galvanized steel. 12" high curb with 4" wide flange including holes for securing to roof deck. (Curb includes integral counter flashing)

Cover: 14 ga. galvanized steel., with 22 ga. galvanized steel liner.

Finish: Prime coat over galvanized steel.

Door Seal: TPE continuous hatch seal.

Insulation: 1" fiberboard insulation surrounding base. 1" fiberglass insulation between exterior door and liner.

Hinges: Heavy duty hinge with zinc pin.

Linkage: Heavy guage automatic hold open arm with red vinyl grip for opening and closing.

Closure: Compression operated, shock absorbing cylinder.

Latch: Exterior handle, inside locking handle with interior and exterior padlock hasp.

Options: Ladder post Model LP-4 Safety yellow painted steel or Ladder post Model LP-5 galvanized steel.